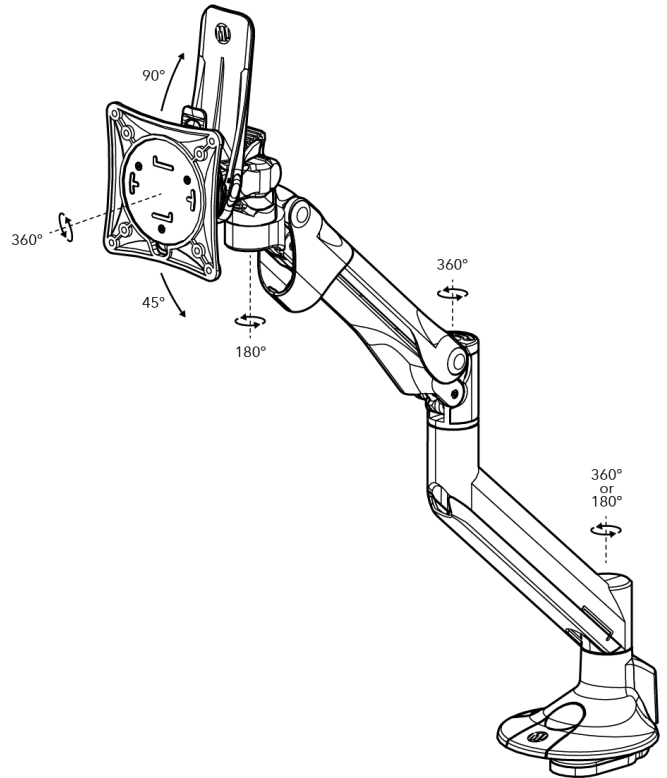


Levo

Gas lift monitor arm for single screen



Technical specifications

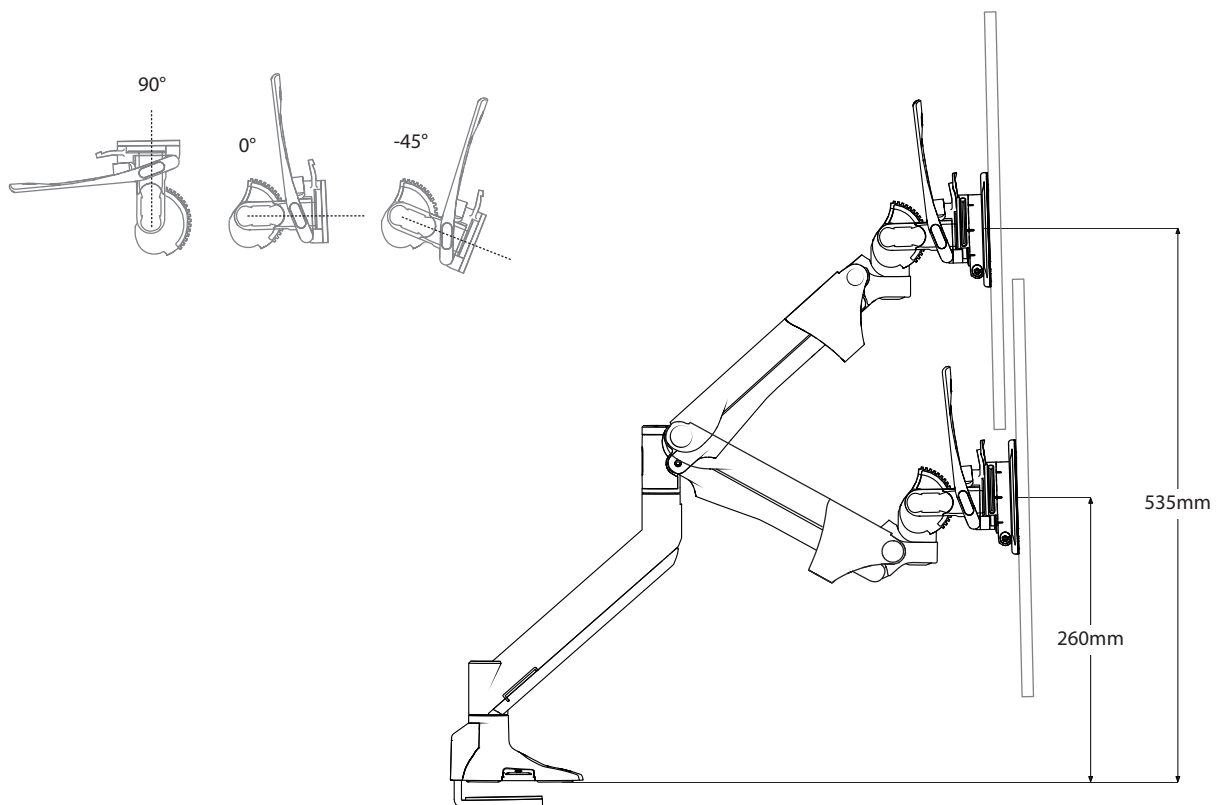
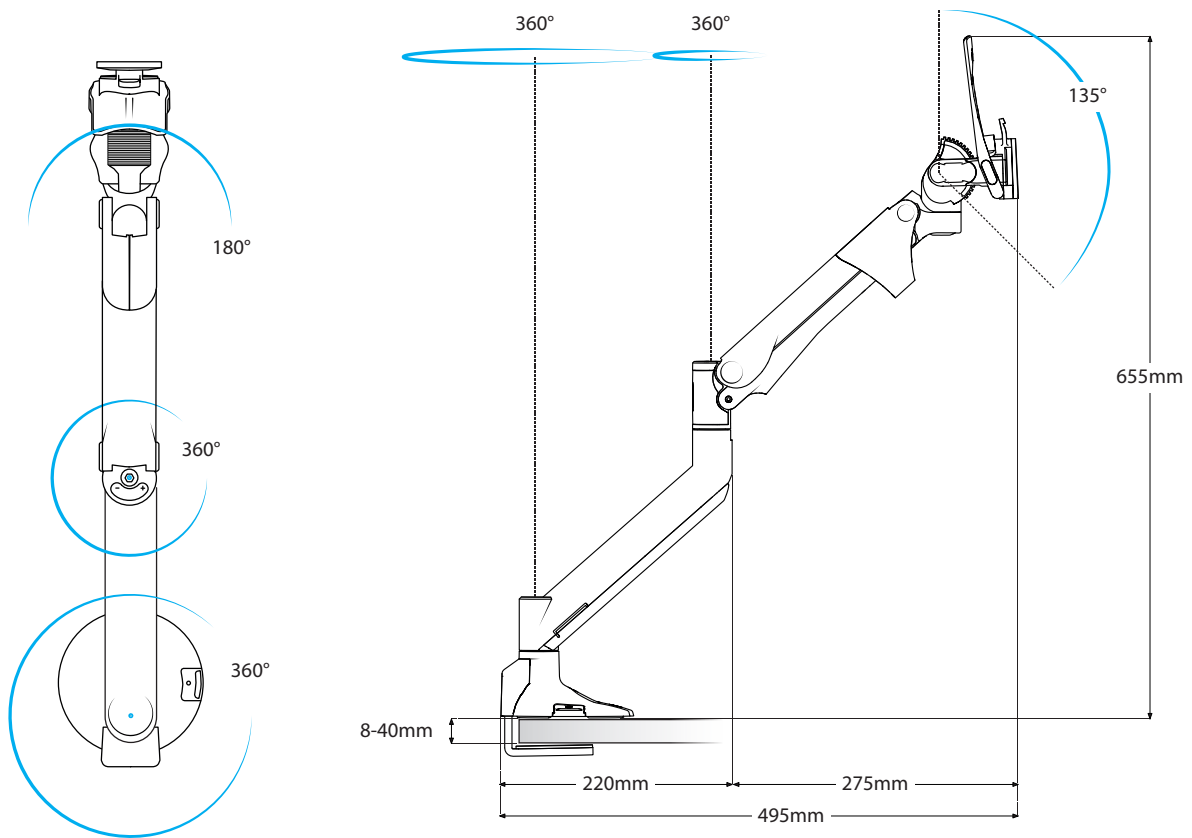
Dimensions	<i>See following pages for details</i> Depth: 90–495mm <i>Depth is measured from the back of the arm base to the front of the VESA plate</i>
Weight	2.55kg
Capacities	Supports screens 2-10kg
Materials	Steel, plastic
Warranty	5 years
Certification	TBC

Boxed specifications

Dimensions	W800 x D183 x H145 mm
Weight	3.71kg

Features

- One touch height adjustment
- Easy head adjustment - unique ratchet VESA head with safety clutch mechanism
- Quick-release 75mm/100mm VESA mounting plates with hand-turn fixing screws
- Smooth gas lift
- Tension adjustment indicator helps reduce project installation times
- Optional 180° rotation stop
- Includes desk edge and through-desk clamps
- Clamps tighten from above
- Adjustment hex/allen keys stored in base
- High capacity integrated cable management
- Available in black, white or silver



Levo Twin Rail

Twin/dual screen rail for Levo monitor arm



Technical specifications

Dimensions	<i>See following pages for details</i> Depth: 270–685mm <i>Depth is measured from the back of the arm base to the front of the VESA plate</i>
Capacities	Supports 2 screens 1-4kg Up to 730mm max. screen width
Weight	1.72kg
Materials	Steel, plastic
Warranty	5 years
Certification	TBC

Boxed specifications

Dimensions	W800 x D175 x H130 mm
Weight	2.87kg

Features

- Optional quick-release attachment
- Compatible with 2 screens weighing 1-4kg each
- Fits up to 27" monitors
- Tactile tilt and rotation adjustment
- Removable handle
- Easy install - no tools required!

